

PRODUCT CODE: MP47-21
CHANNEL BRACKET

DESCRIPTION

21mm Internal Channel Coupler c/w Screws

FINISH

Bright Zinc Plated

MATERIAL

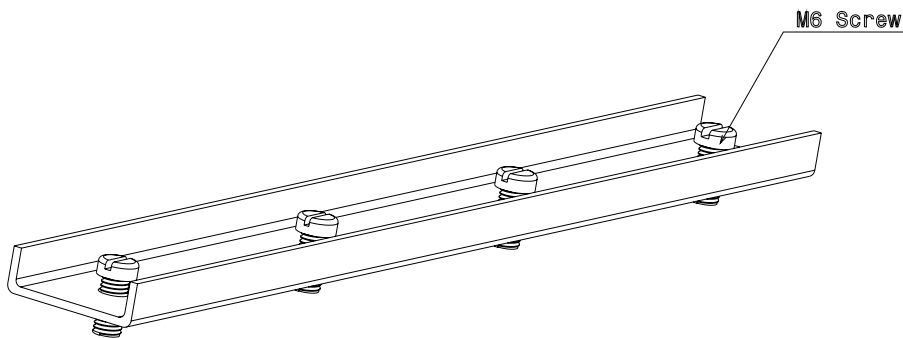
Pressed Steel

PACKAGING

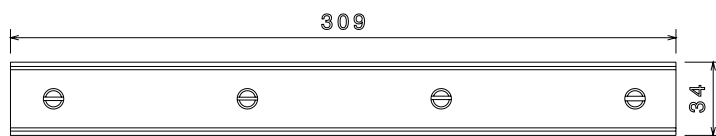
Packed in qty 20

ADDITIONAL NOTES

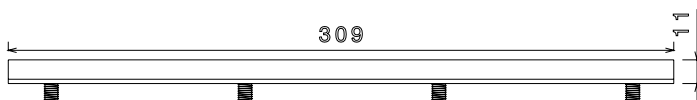
Supplied with qty 4 screws to suit



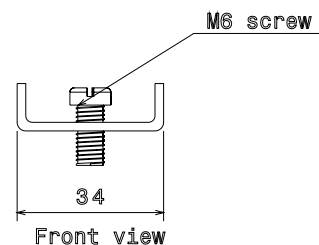
Isometric view



Top view



Side view



Front view